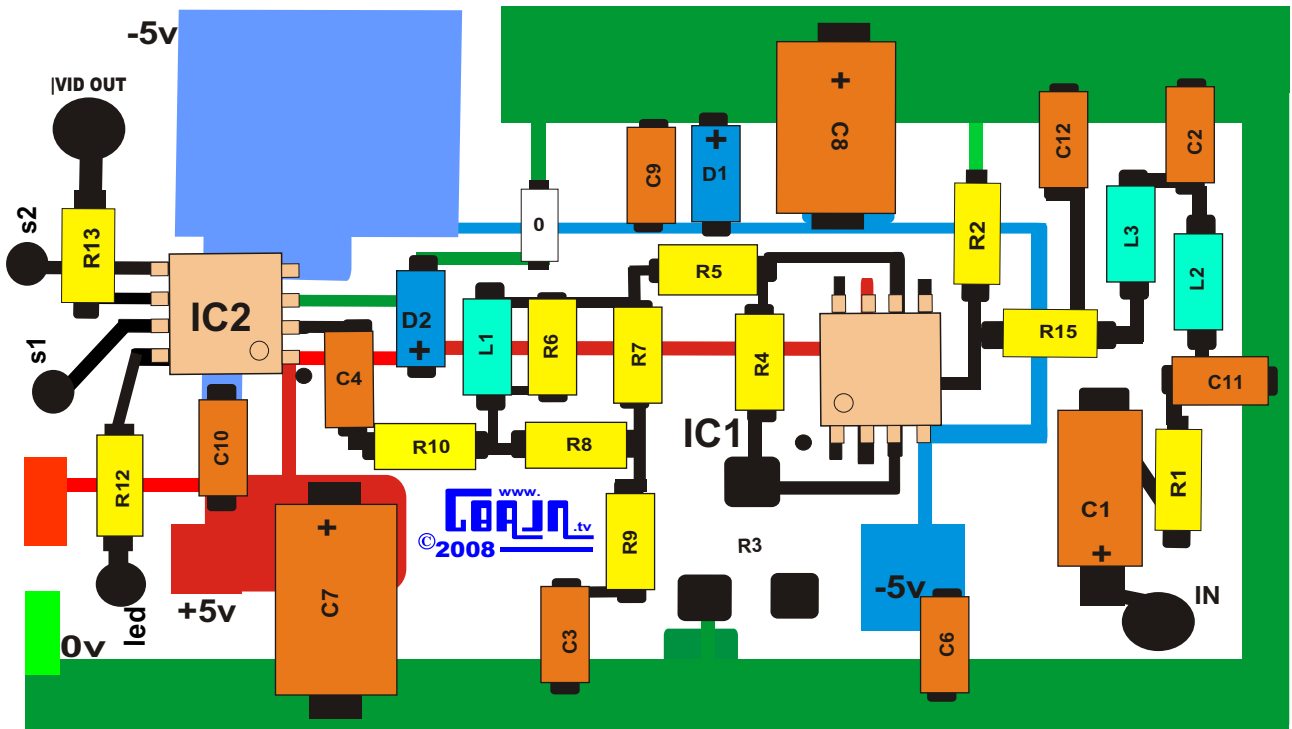
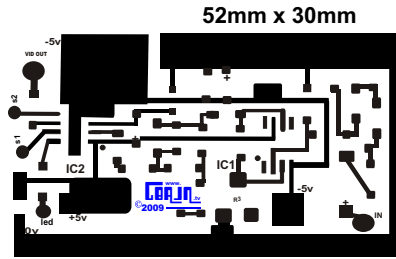
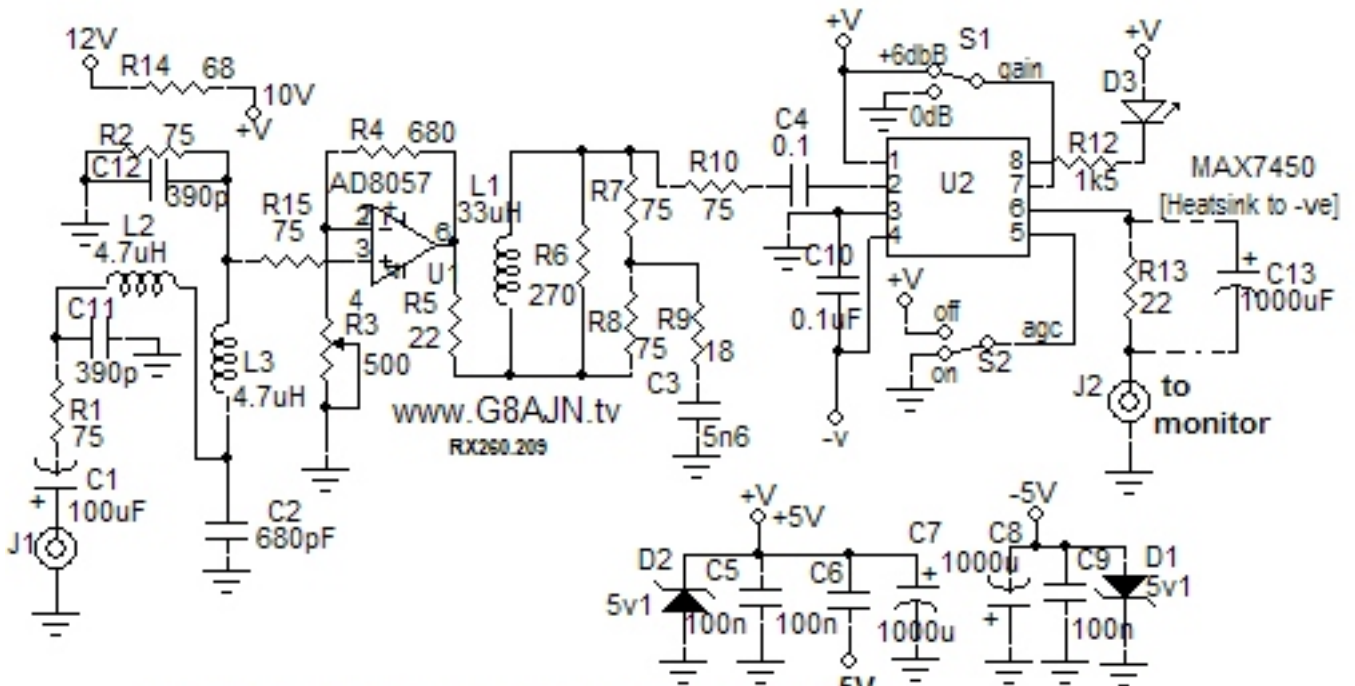


RX



IC2 pad must make electrical contact to negative line.
 Tin the blue area under the IC2 and press IC down firmly while soldering the legs, it should not be necessary to actually solder the pad



SIGNAL GROUND CONNECTS TO -5V LINE.
 IF USING SINGLE SUPPLY: C1 POLARITY NEEDS REVERSING.
 & REPLACE R13 with C13.
 R22,D1,D2 NOT REQUIRED FOR DUAL SUPPLY.