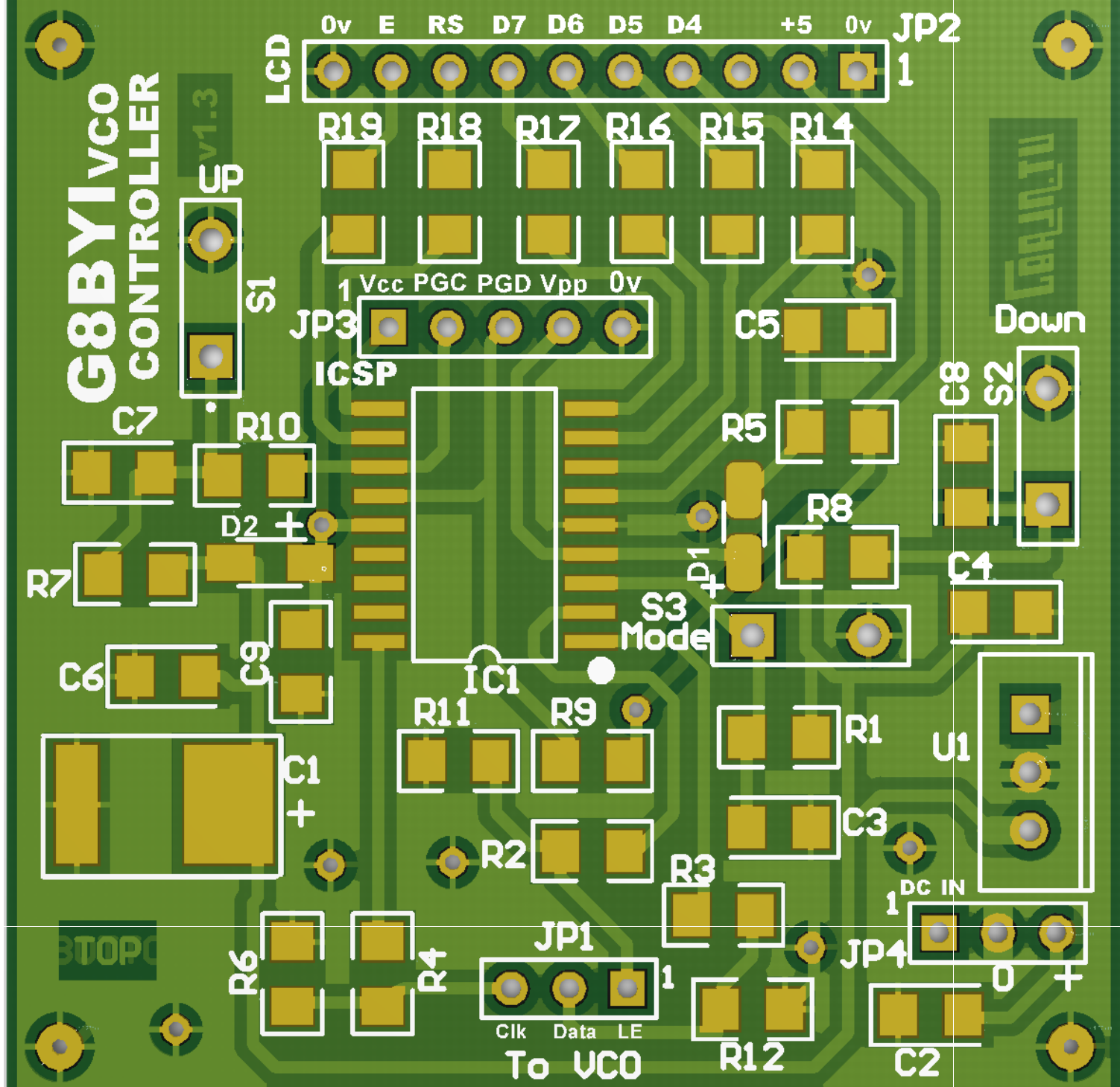
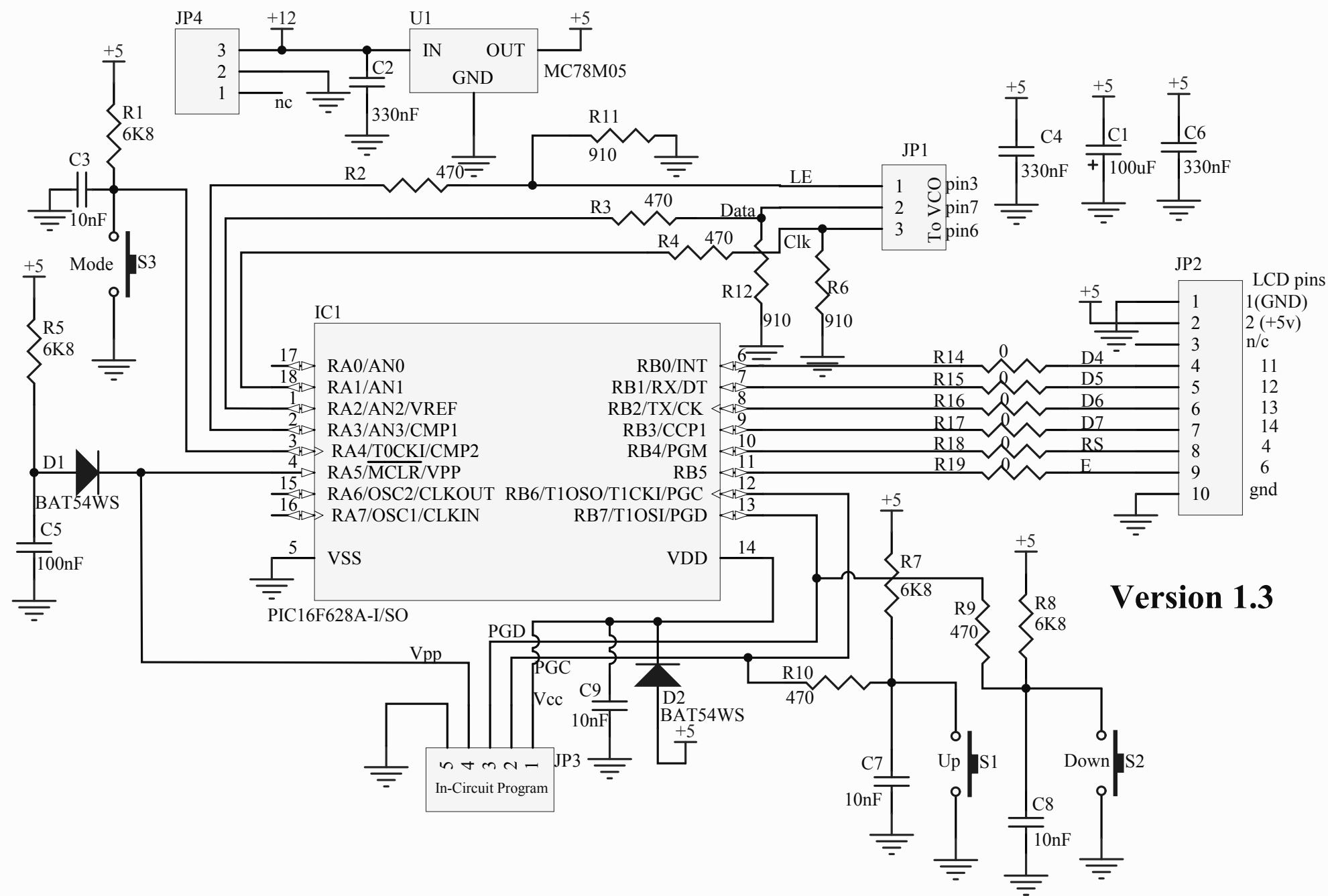


# G8BY1 VCO CONTROLLER



- IC1
- R1, R2, R3, R4, R5, R6, R7, R8, R9, R10, R11, R12, R13, R14, R15, R16, R17, R18, R19
- C1, C2, C3, C4, C5, C6, C7, C8, C9, C10
- JP1 (Clk, Data, LE) To VCO
- JP2 (0v, E, RS, D7, D6, D5, D4, +5, 0v) LCD
- JP3 (1, Vcc, PGC, PGD, Vpp, 0v) ICSP
- JP4 (1, DC IN, 0, +)
- S1 (v1.3)
- S2 (Down)
- S3 (Mode)
- U1
- STOP
- G8BY1.VU



**Version 1.3**

Title		
Size	Number	Revision
A4		
Date:	01/07/2013	Sheet of
File:	C:\CAD Files\...\BYI_fullv1,3.SchDoc	Drawn By:

Comment	Description	Designator	Footprint	LibRef	Quantity
100uF	Polarized Capacitor (Surface Mount)	C1	CC5750-2220	Cap Pol3	1
330nF	Capacitor (Semiconductor SIM Model)	C2, C4, C6	CC3216-1206	Cap Semi	3
10nF	Capacitor (Semiconductor SIM Model)	C3, C7, C8	CC3216-1206	Cap Semi	3
100nF	Capacitor (Semiconductor SIM Model)	C5	CC3216-1206	Cap Semi	1
Cap	Capacitor	C9	CR3216-1206	Cap	1
BAT54WS	Default Diode	D1, D2	SOD323	Diode	2
PIC16F628A-I/SO	FLASH-Based 8-Bit CMOS Microcontroller with nanoWatt Technology, 2K (x14-Bit words) FLASH, 224 Bytes SRAM, 18-Pin SOIC, 3.0 to 5.5V Supply Range, Extended Temperature	IC1	SOIC18	PIC16F628A-E/SO	1
Header 3	Header, 3-Pin	JP1, JP4	HDR1X3	Header 3	2
Header 10	Header, 10-Pin	JP2	HDR1X10	Header 10	1
Header 5	Header, 5-Pin	JP3	HDR1X5	Header 5	1
6K8	Resistor	R1, R5, R7, R8	CR3216-1206	Res3	4
470	Resistor	R2, R3, R4, R9, R10	CR3216-1206	Res3	5
10k	Resistor	R6, R11, R12	CR3216-1206	Res3	3
0	Resistor	R14, R15, R16, R17, R18, R19	CR3216-1206	Res3	6
SW-PB	Switch	S1, S2, S3	SPST-2	SW-PB	3
MC78M05	Three-Terminal Medium	U1	221A-09	MC78M05BT	1