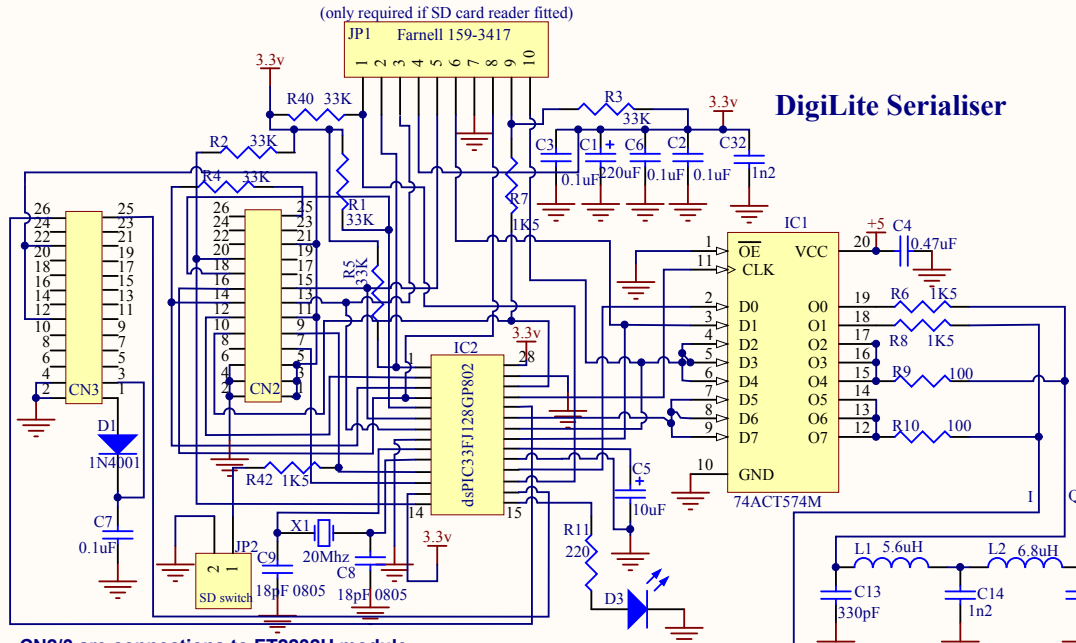


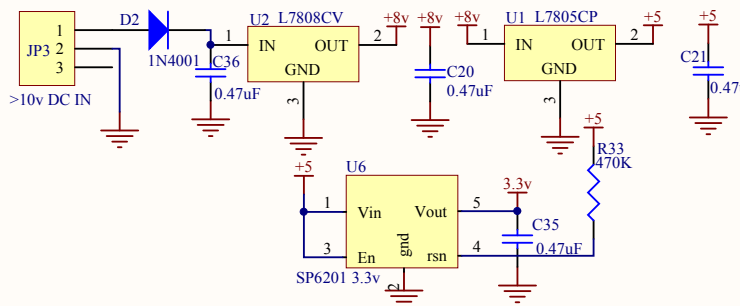
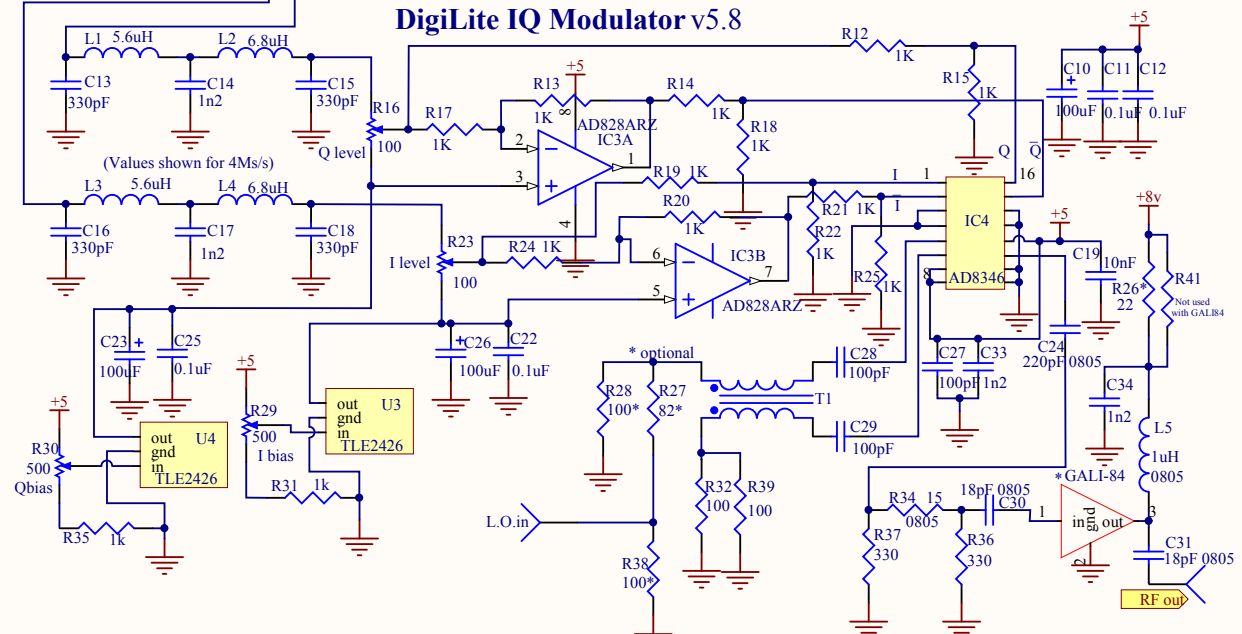
(only required if SD card reader fitted)

DigiLite Serialiser



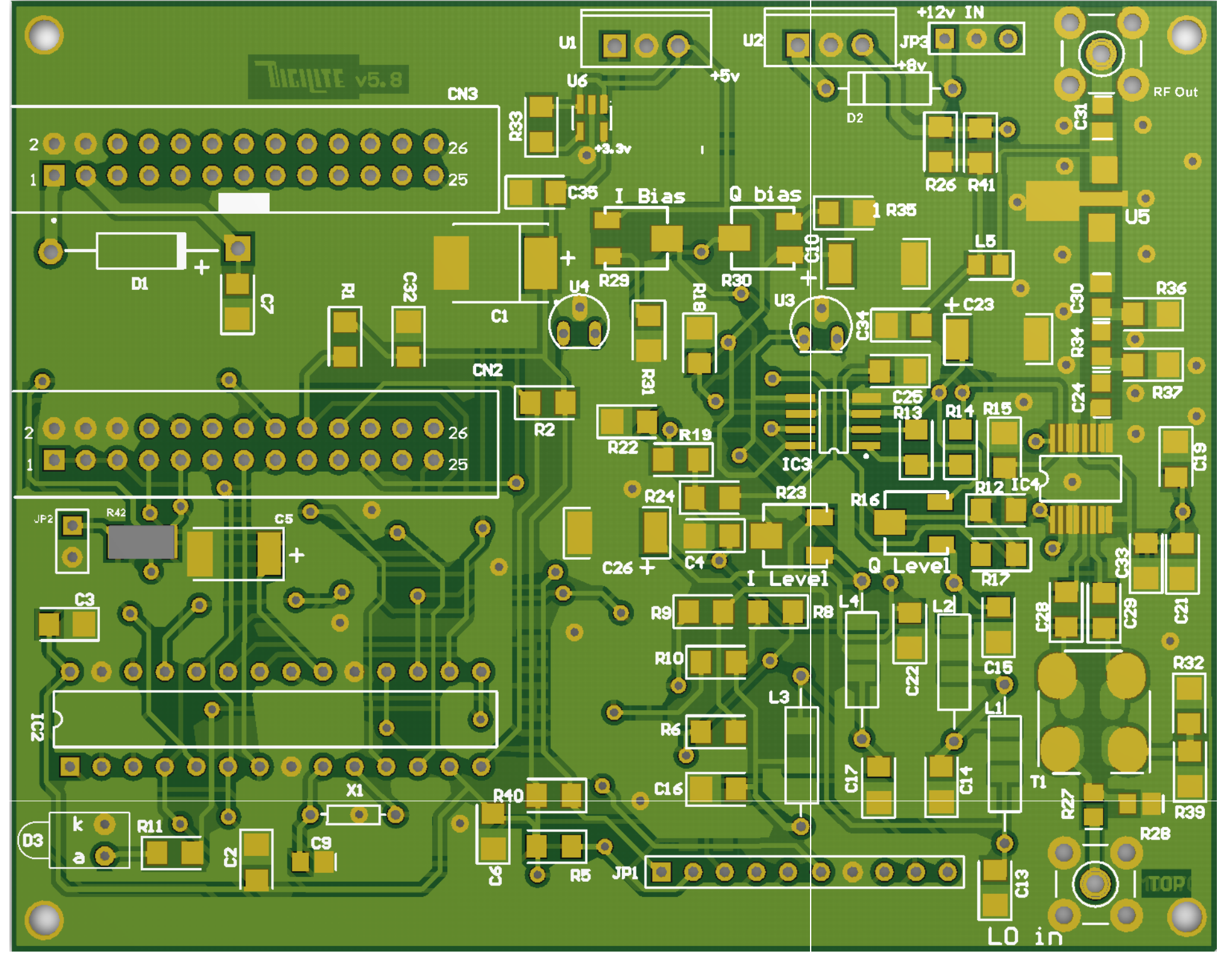
CN2/3 are connections to FT232H module

DigiLite IQ Modulator v5.8



Title		
DigiLite Serialiser and Modulator		
Size	Number	Revision
A4	drawing by G8AJN	v5.8 19/03/2013
Date:	17/04/2013	Sheet of
File:	C:\CAD Files\...DigiLitev5.8.SchDoc	Drawn By:

TICHLITE v5.8



Comment	Description	Designator	Footprint	Quantity	PartNo
GALI-84				1	
220uF	Polarized Capacitor (Surface Mount)	C1	TC7360-2924	1	
0.1uF		C2, C3, C6, C7, C11, C12, C22, C25	CC3216-1206	8	
0.47uF	Capacitor (Semiconductor SIM Model), Capacitor (SMD)	C4, C20, C21, C35, C36	CC3216-1206	5	
10uF	Polarized Capacitor (Surface Mount)	C5	CC4532-1812	1	
18pF 0805		C8, C9, C30, C31	0805	4	
100uF	Polarized Capacitor (Surface Mount)	C10, C23, C26	CR6332-2512	3	
330pF	Capacitor	C13, C15, C16, C18	CC3216-1206	4	
1n2	Capacitor (Optional), Capacitor (SMD), Cap SMD 1206	C14, C17, C32, C33, C34	CC3216-1206	5	
10nF	Capacitor (SMD)	C19	CC3216-1206	1	
220pF 0805	Capacitor (SMD)	C24	0805	1	
100pF	Capacitor (Semiconductor SIM Model), Capacitor (SMD)	C27, C28, C29	CC3216-1206	3	
13x2 pin Header	FT2232H socket	CN2, CN3	918526X904	2	341-9290
1N4001	1 Amp General Purpose Rectifier	D1	DIO10.46-5.3x2.8	1	165-1089
1N4001	1 Amp General Purpose Rectifier	D2	DIODE-0.4	1	165-1089
LED	Amber LED Lamp	D3	LED-1	1	any
74ACT574M	Octal D-Type Flip-Flop with Tri-State Output	IC1	SO20	1	959-0412
dsPIC33FJ128GP802		IC2	NI28	1	157-6801
AD828ARZ	Dual Video Amplifier	IC3	SOIC8	1	165-1292
AD8346		IC4	SSOP16	1	RS 523-6349
Header 10	Header, 10-Pin	JP1	HDR1X10	1	169-7909
SD switch	Header, 2-Pin	JP2	HDR1X2	1	
Header 3	Header, 2.5 mm 3-Pin	JP3	HDR1X3	1	Chop from 10 way
5.6uH	Inductor	L1, L3	AXIAL-0.5	2	509929 (RS 191-0453)
6.8uH	Inductor	L2, L4	AXIAL-0.5	2	1644263 (RS 603-8988)
1uH	Inductor	L5	CC2012-0805	1	165-3742
Socket	Socket	LO in, RF Out	SMB_V-RJ45	2	
33K	Resistor	R1, R2, R3, R4, R5, R40	CC3216-1206	6	
1K5	Resistor	R6, R8	CC3216-1206	2	110-0196
1K5	Resistor	R7	CR3216-1206	1	
100	Resistor	R9, R10, R32, R39	CC3216-1206	4	933-5749
220	Resistor	R11	CC3216-1206	1	
1K	Resistor	R12, R13, R14, R15, R17, R18, R19, R20, R21, R22, R24, R25, R31, R35	CC3216-1206	14	157-6629
100RPot SM	Square Trimming Potentiometer	R16, R23	POT4MM-2	2	161-2590
22	Resistor	R26*	CC3216-1206	1	
82*	Resistor	R27	0805	1	
100*	Resistor	R28, R38	0805	2	
500RPot SM	Square Trimming Potentiometer	R29, R30	POT4MM-2	2	136-0933
470K	Resistor	R33	CC3216-1206	1	
15	Resistor	R34	0805	1	
330	Resistor	R36, R37	CC3216-1206	2	
680	Resistor	R41	CC3216-1206	1	
1206 SMD	Resistor	R42	1206	1	
T1	SMD Transformer, 1:1 Balun	T1	OPA1	1	TOKO WWW.BEC.CO.UK B5FL 536049
L7805CP	Positive Voltage Regulator	U1	ISOWATT220AB	1	RS 296-756
L7808CV	Positive Voltage Regulator	U2	ISOWATT220AB	1	RS 975-6108
TLE2426		U3, U4	SOT54	2	121-2372
SP6201 3.3v		U6	SOT23-5	1	938-8184
20Mhz	Crystal	X1	AXIAL-0.3	1	161-1779